

No.96509 FBL ROTOR HEAD CONVERSION SET NEX INSTRUCTIONS

【INCLUDED ITEMS】

FBL Center Hub (50)	1	Socket Head Bolt M3 × 8	1
FBL Pitch Arm (50)	2	Socket Head Bolt M3 × 10	1
FBL Washout Arm Assembly	2	Socket Head Bolt M3 × 20	2
Center Hub Mounting Collar	2	Button Head Bolt M5 × 10	2
Damper Rubber	2	Special Socket Head Bolt M3 × 26	1
FBL Pitch Jig Base	1	Socket Head Bolt M2.6 × 6	2
FBL Pitch Jig Rod	2	Socket Head Bolt M2.6 × 10	2
Threaded Rod M2.3 × 60 (∅ 2.5)	2	Setscrew M3 × 4	2
Universal Link	4	Nylon Lock Nut M3 (t2.8)	1
Washer 03 × 4.5 × 04	2		

【PREPARATION】

Please remove the following parts from the Model.

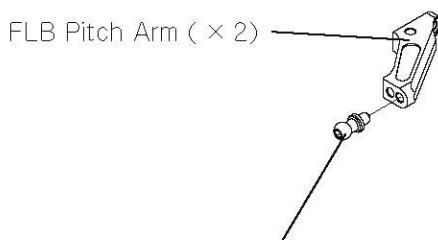
Main Rotor Head Assembly Washout Assembly Linkage Rods

【REUSED ITEMS】

From the parts which you removed, please disassemble and retain the following items:

Head Button	1	Spindle Washer M5	2
Main Blade Holder Assembly	2	Thrust Bearing SST-1680DSG	2
Spindle Shaft M5	1	Control Ball L 5.5	2
Spindle Shaft Tube	1	Rotor Spacer t 1.5	4
Spindle Shim Washer	2	Drag Bolt M4 × 30	2
Grip Spacer	2	Nylon Lock Nut M4 (3.8)	2
Thrust Washer	2		

1 MAIN BLADE HOLDER ASSEMBLY

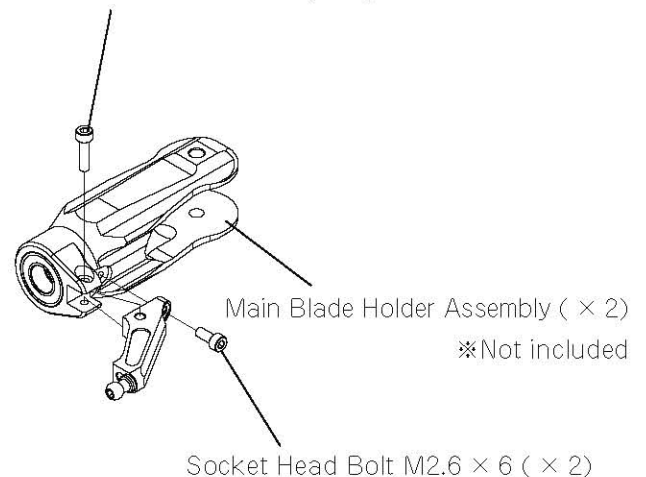


Control Ball L5.5(× 2) ※ Not included

*The control ball is typically installed in the outer hole.

Depending on your exact servo setup, this will usually result in a cyclic pitch (Aileron/Elevator) range of $\pm 12^\circ$. If more pitch range is required, please install the ball in the inner hole. For further details on flybarless (FBL) setup instructions please refer to the manual accompanying your FBL gyro.

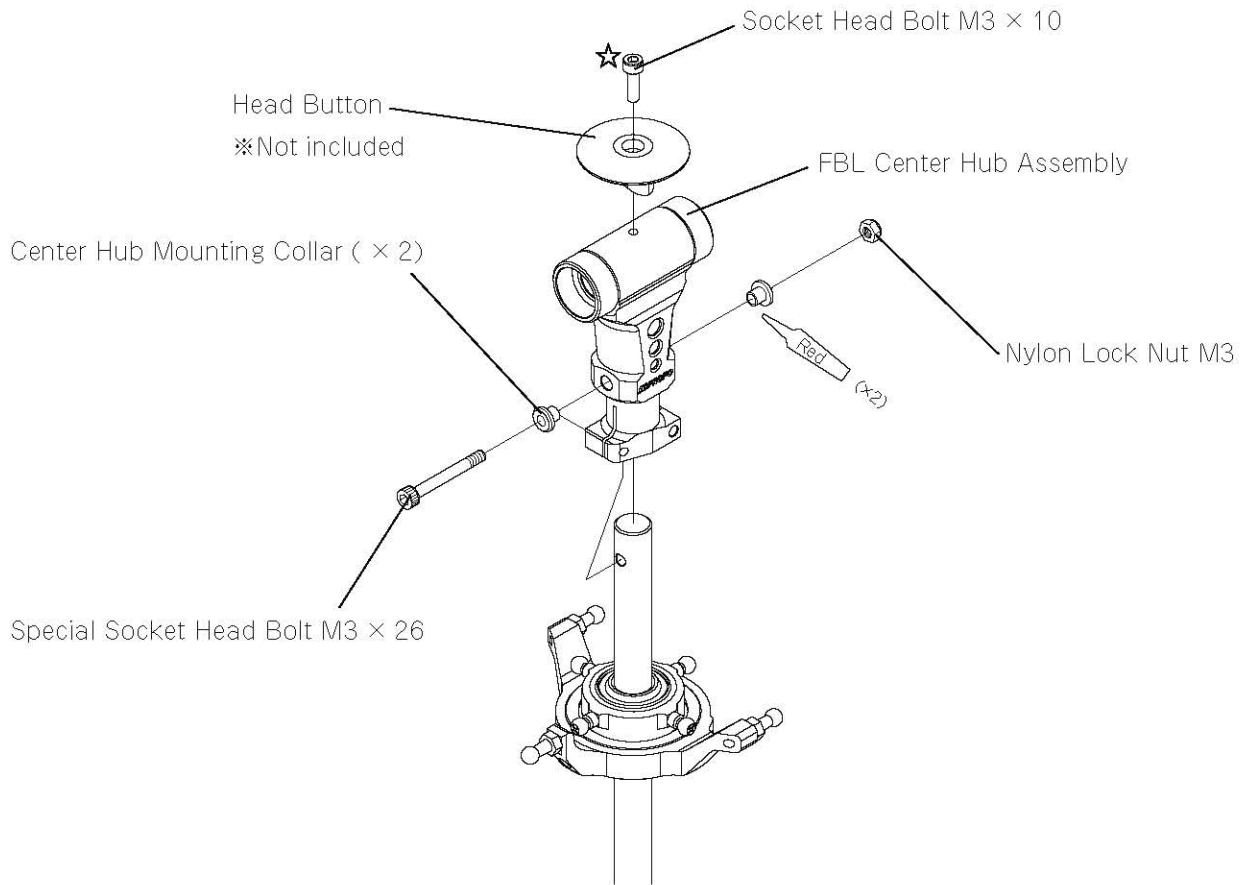
Socket Head Bolt M2.6 × 10 (× 2)



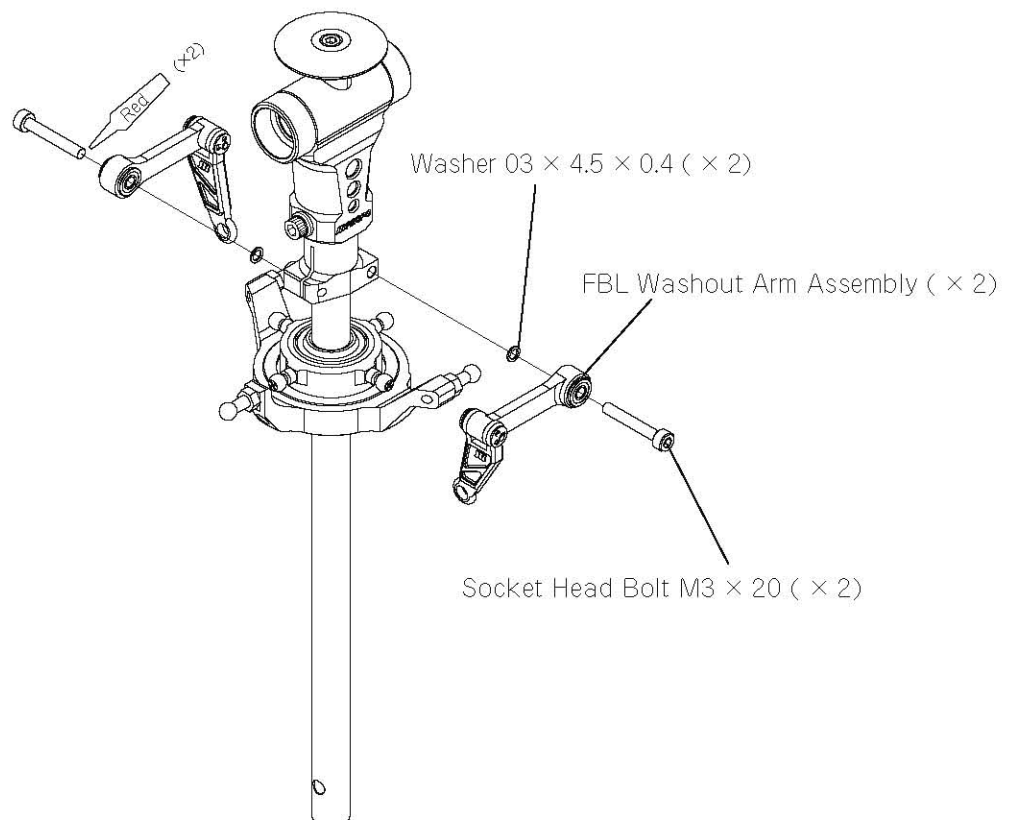
※Make two sets.

2 FBL CENTER HUB ASSEMBLY

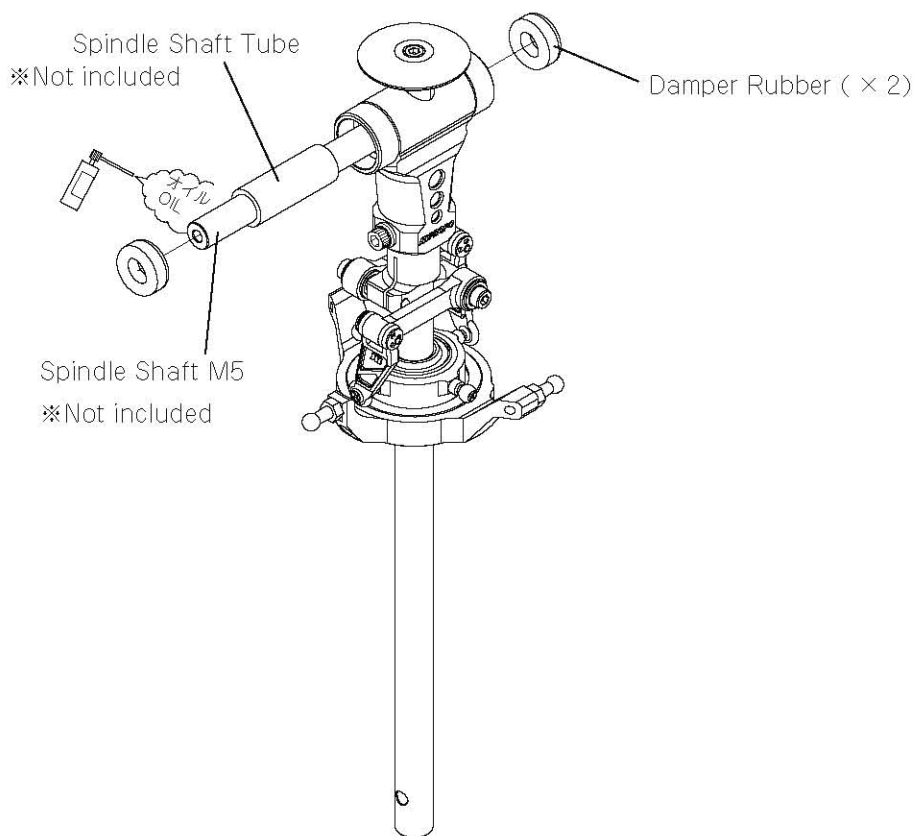
Temporarily tighten the bolts indicated by a ☆. They will be firmly tightened following Pitch adjustment.



3 FBL WASHOUT ARM ASSEMBLY



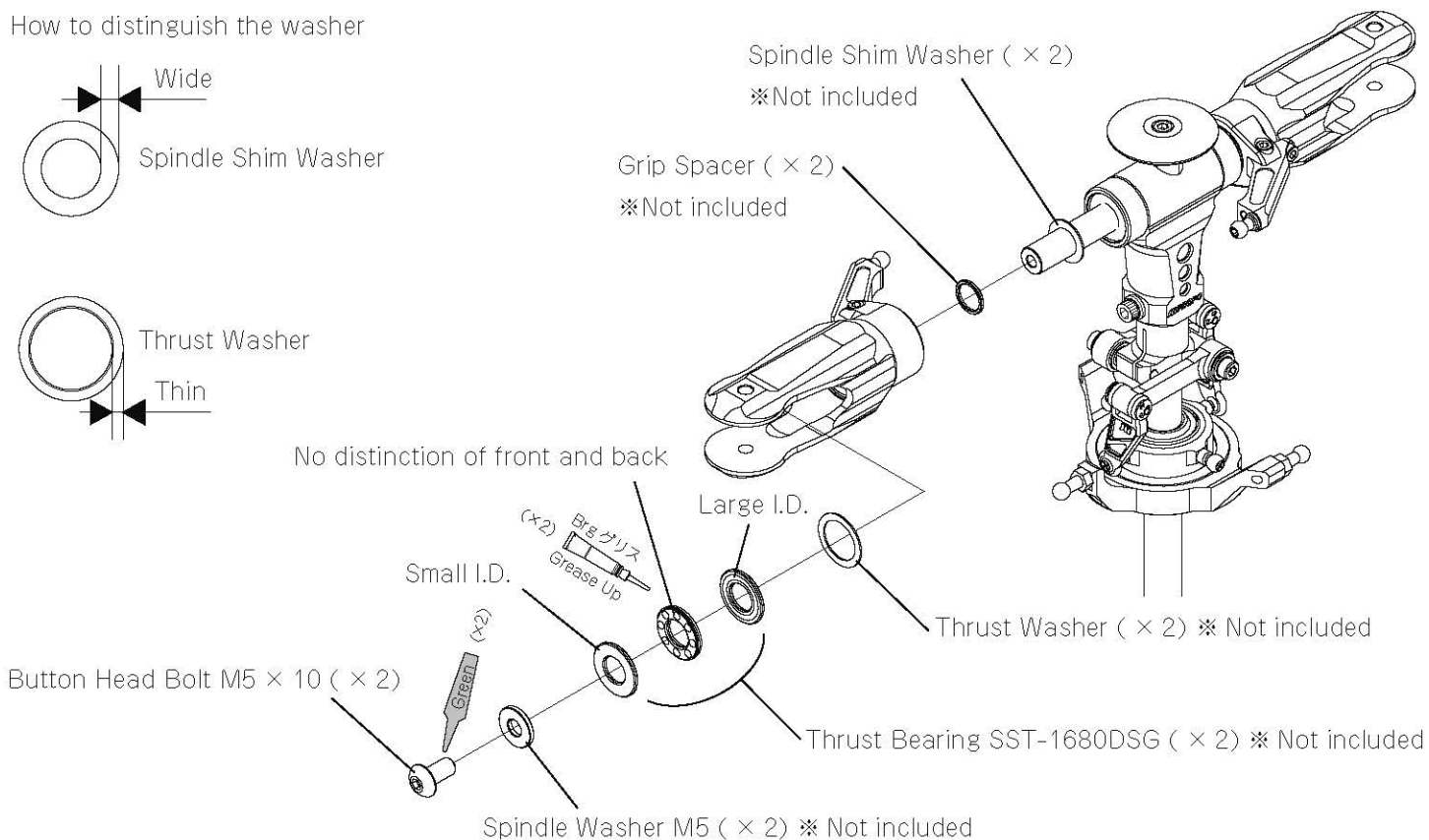
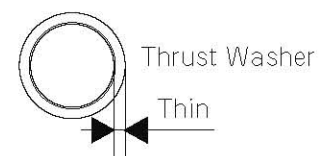
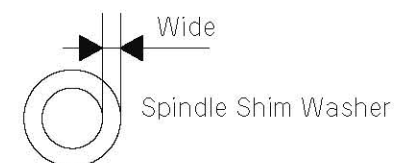
4 SPINDLE SHAFT ASSEMBLY



※Sparingly apply a light oil onto the Spindle shaft and slide one the Spindle shaft tube. Then install this assembly into the Center Hub. Next install the Damper Rubbers over the spindle shaft and into the head block.

5 MAIN BLADE HOLDER INSTALLATION

How to distinguish the washer

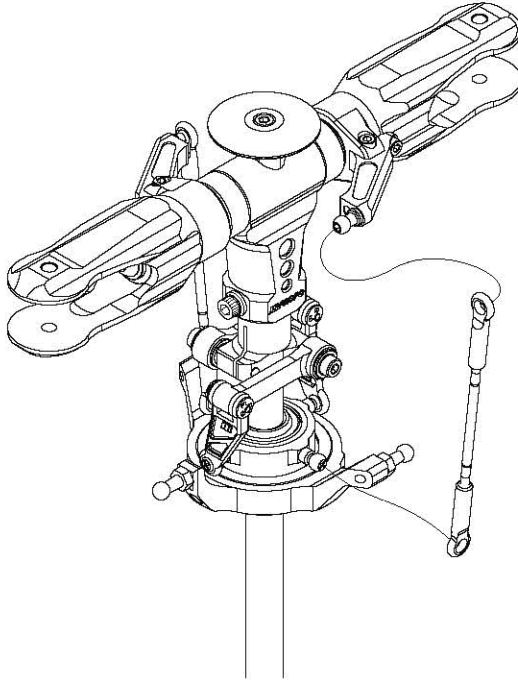
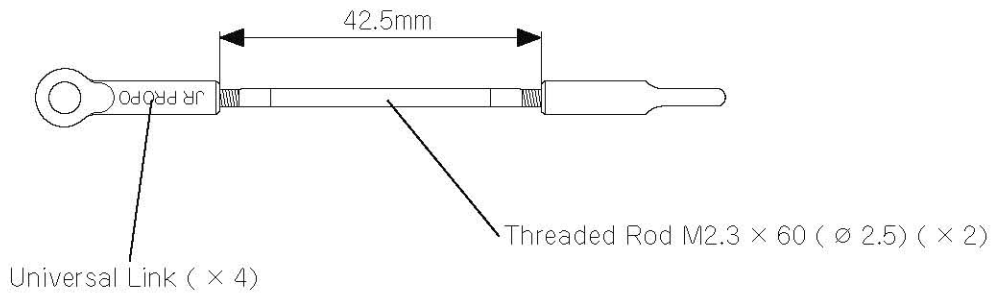


※Apply grease designed for Thrust Bearings.

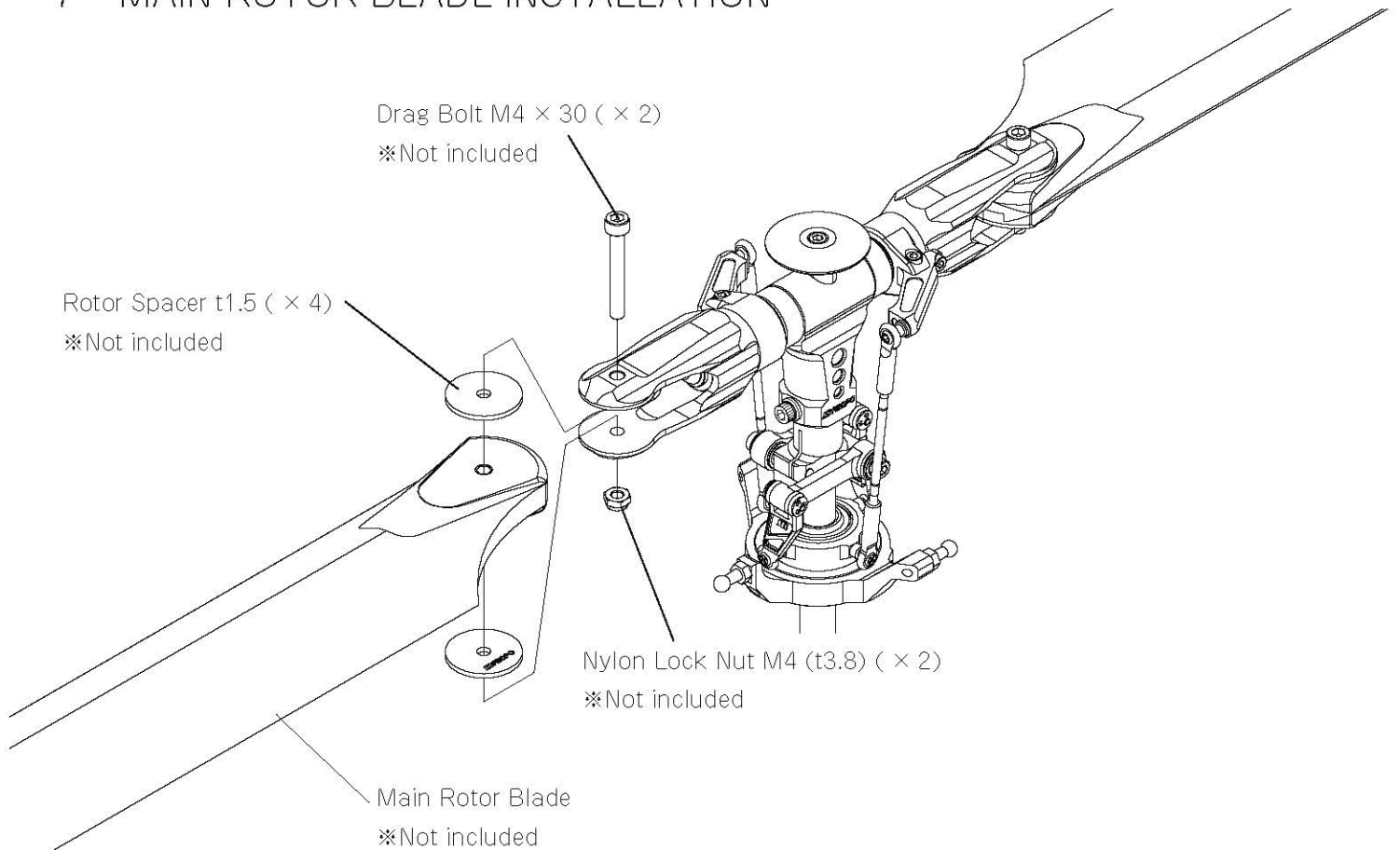
※Please replace these bolts each time they are removed for maintenance, etc.

6 LINKAGE

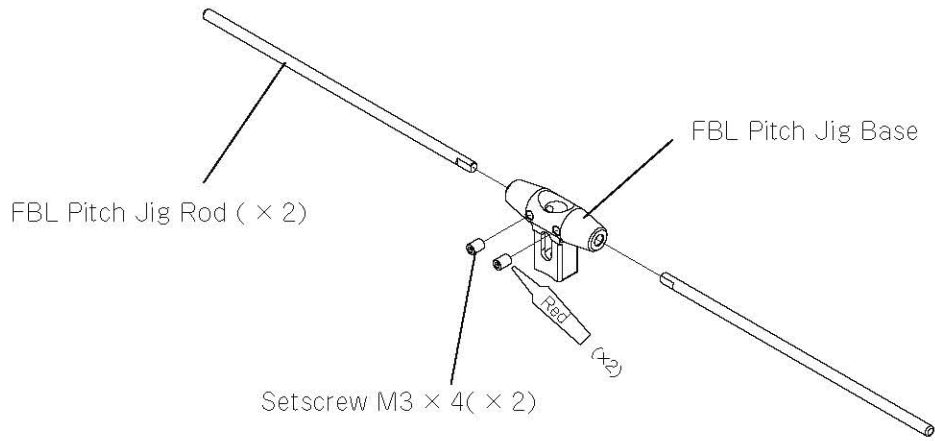
※Make two sets.



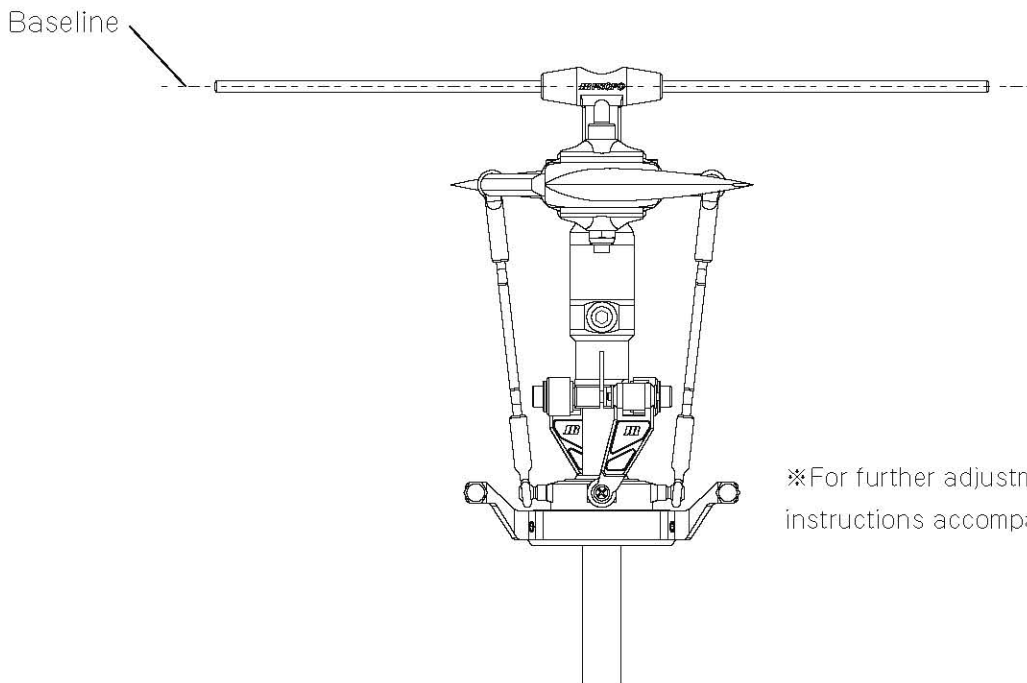
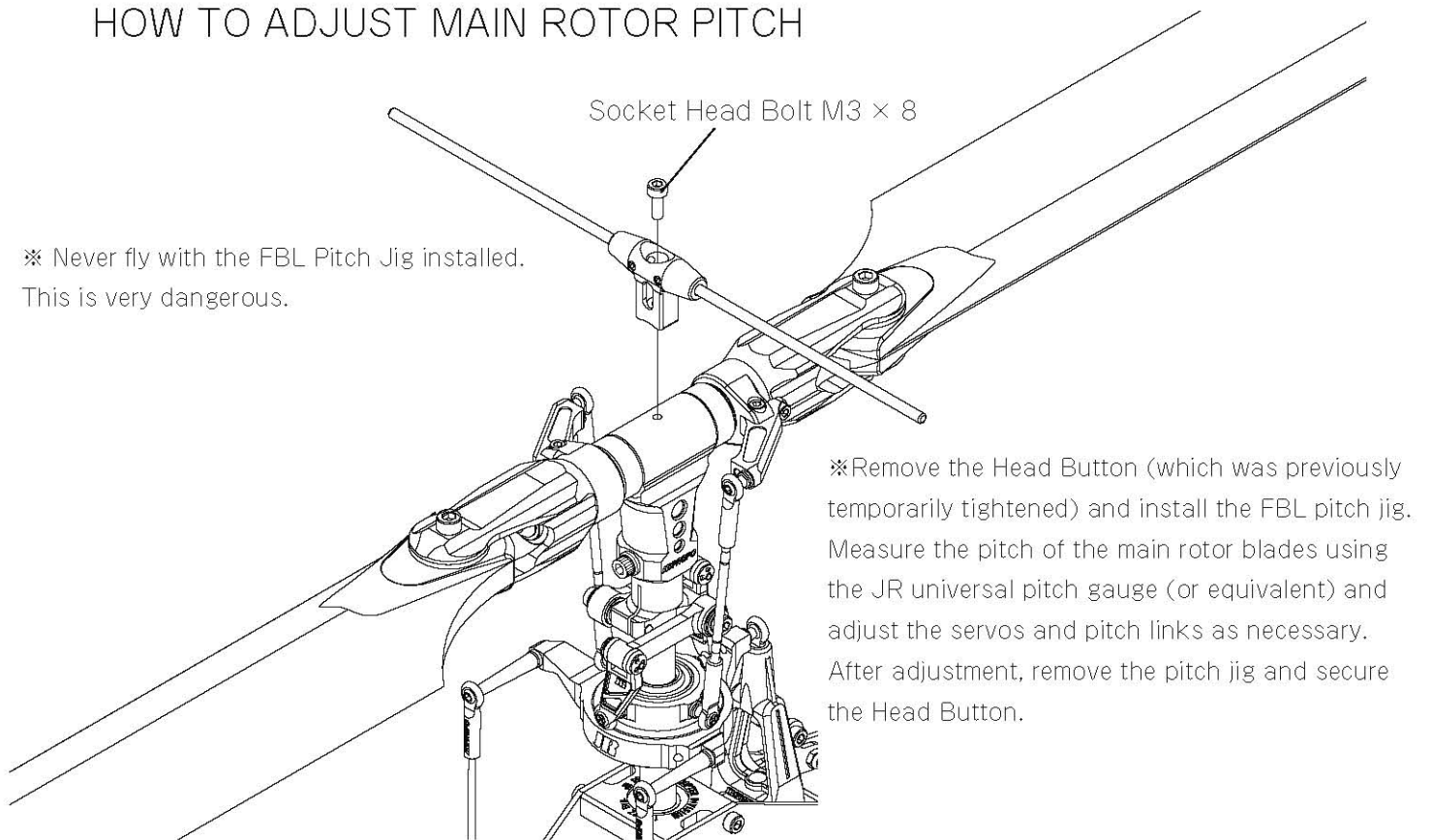
7 MAIN ROTOR BLADE INSTALLATION

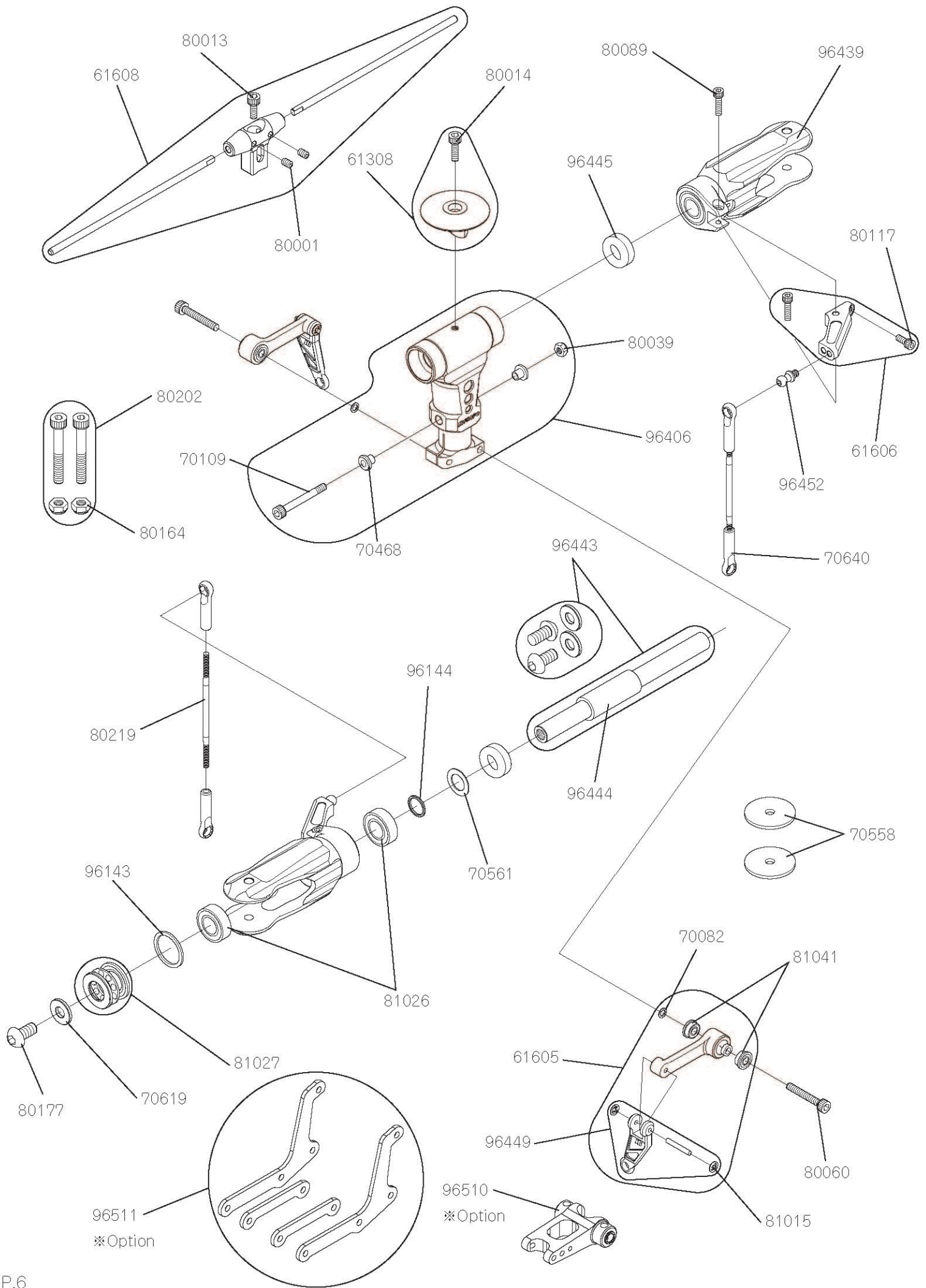


8 FBL PITCH JIG ASSEMBLY



HOW TO ADJUST MAIN ROTOR PITCH





Item #	Description	Quantity	Note
61308	Head Button(Dome)	× 1	w/Socket Head Bolt M3 × 10
61605	FBL Washout Arm Assembly	× 2	Color:Red w/LF-730ZZ
61606	FBL Pitch Arm(50)	× 1	w/Socket Head Bolt
61608	FBL Pitch Jig Set	× 1	1 Set
70082	Washer 03 × 4.5 × 0.4	× 10	
70468	Center Hub Mounting Collar	× 2	
70558	Rotor Spacer t1.5	× 4	
70561	Spindle Shim Washer	× 4	
70619	Spindle Washer M5	× 2	
70640	Universal Link	× 10	
80001	Setscrew M3 × 4	× 10	
80013	Socket Head Bolt M3 × 8	× 10	
80014	Socket Head Bolt M3 × 10	× 10	
80039	Nylon Lock Nut M3(t2.8)	× 10	
80089	Socket Head Bolt M2.6 × 10	× 10	
80117	Socket Head Bolt M2.6 × 6	× 10	
80164	Nylon Lock Nut M4(t3.8)	× 10	
80177	Button Head Bolt M5 × 10	× 10	
70109	Special Socket Head Bolt M3 × 26	× 2	w/Nylon Nut M3
80202	Drag Bolt Set M4 × 30	× 1	w/Nylon Lock Nut M4
80219	Threaded Rod M2.3 × 60(∅ 2.5)	× 2	
81015	CA Stopper Ring M2	× 10	
81026	Shielded Bearing 08 × 16 × 5	× 2	L-1680ZZ
81027	Thrust Bearing 08 × 16 × 5	× 2	SST-1680DSG
81041	Shielded Bearing F03 × 07 × 3	× 2	LF-730ZZ
96143	Thrust Washer	× 2	
96144	Grip Spacer	× 2	
96406	FBL Center Hub Assembly	× 1	w/Center Hub Mounting Collar · SpecialCap Bolt M4 × 8 · Nylon Nut
96439	Main Rotor Grip Assembly	× 2	w/L-1680ZZ
96443	Spindle Shaft M5	× 1	w/Spindle Shaft Tube · Spindle Washer · Button Head Bolt
96444	Spndle Shaft Tube	× 1	
96445	Damper Rubber	× 2	Hardness 90°
96449	Washout Link C	× 2	w/Washout Link Pin
96452	Control Ball L5.5	× 1	
96510	Swash Control Base (Metal)	× 1	Option
96511	Gyro Frame Set	× 1	1 Set Option

Fly. and catch the sky with JR!

JR PROPO[®]

WWW.JRPROPO.CO.JP